

APPROVAL SHEET

SHENZHEN PUWEI TECHNOLOGY CO.,LTD.

PURE-V
TECH



Product Description: Dielectric Filter 1247.5 MHz SMD 30.0*10.2*8.2mm (BW=61.0MHz)

Part No.	CMF8C1247F61NA	Prepared by:	邓兆源
Pages	5	Checked by:	张勃
Date	2023/03/20	Approved by:	何
Revision	1.0		



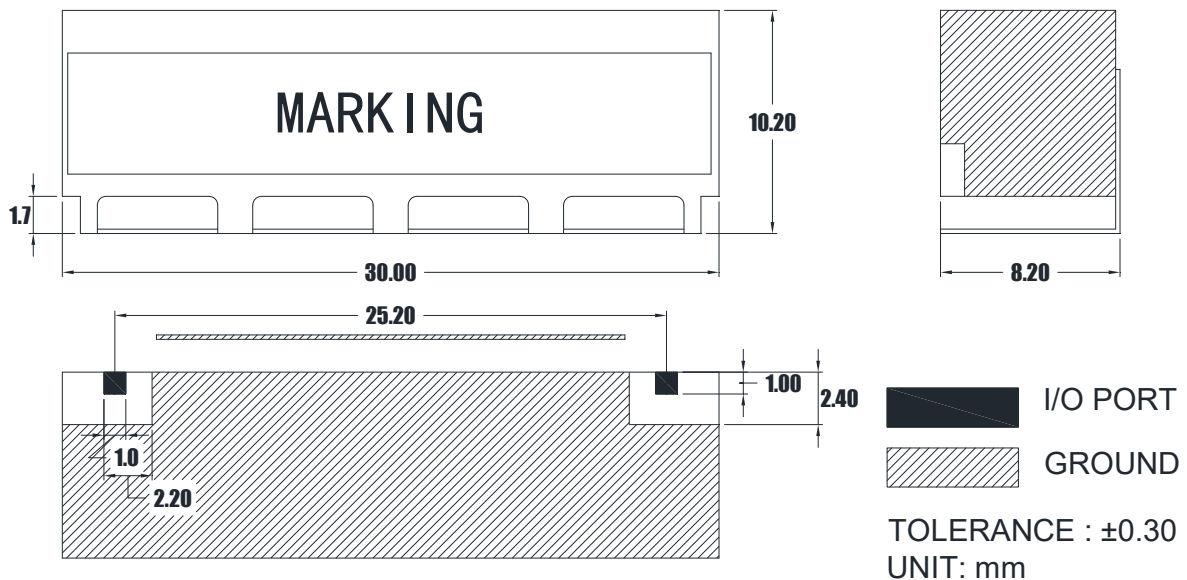
History Record

Date	Part No.	Version No.	Modify Content	Remark

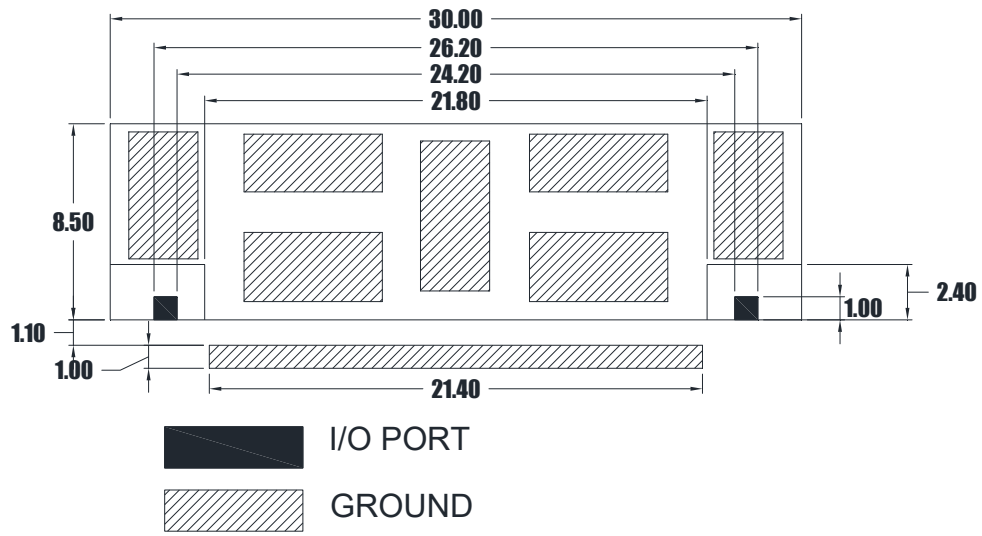
Electronic Characteristics

Item		SPEC	Unit
Center Frequency [f0]	f _c	1247.5	MHz
Bandwidth [BW]	BW	f ₀ ± 30.5	MHz
Insertion Loss in BW	IL	3.0 max	dB
Ripple in BW	Δα	1.2 max	dB
V S W R in BW		1.5 max	Ratio
In/Out Impedance		50	Ω
Attenuation [Relative Value]	α	32.0 min @ 1198 MHz	dB
		40.0 min @ DC ~ 1150 MHz	dB
		40.0 min @ 1338 ~ 1800 MHz	dB
In/Out Power	P	5 max	W
Operation Temperature Range		-40 ~ +85	°C

Package Dimensions (Unit: mm)



RECOMMENDED PC BOARD PATTERN



注：建议使用含银焊锡膏 Remark:Recommending using silver-containing solder paste.