

APPROVAL SHEET

SHENZHEN PUWEI TECHNOLOGY CO.,LTD.

PURE-V
TECH



Product Description:LC FILTER 1620.0 MHz SMD13*8*5mm (BW=20 MHz)

Part No.	CLCB1620S20A
Pages	4
Date	2023/07/05
Revision	1.0

Prepared by:	邓兆源
Checked by:	张勃
Approved by:	ERIC



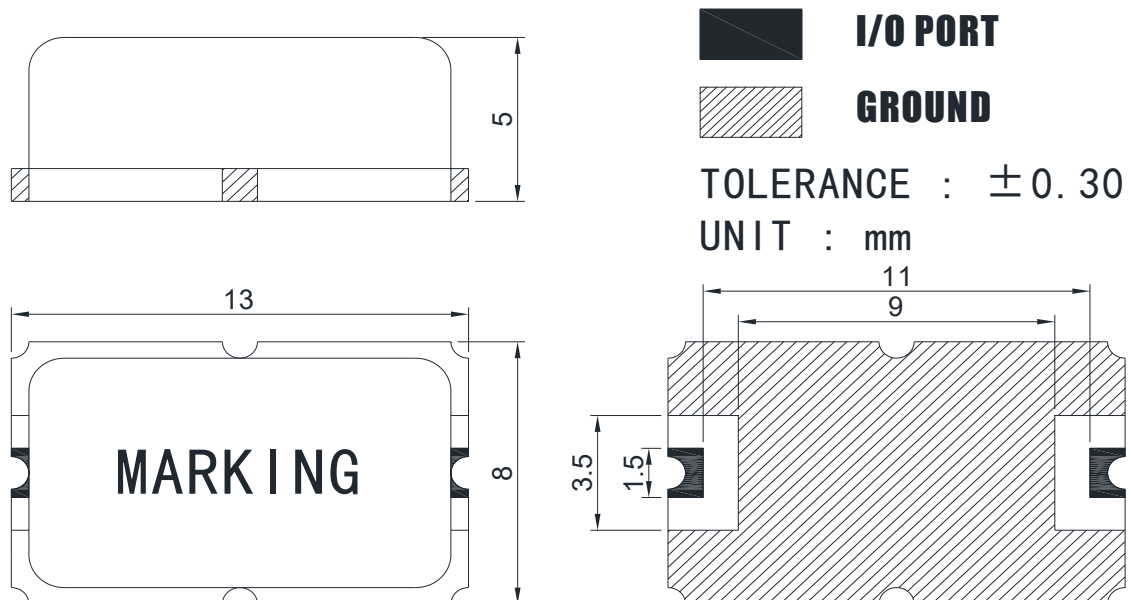
History Record

Date	Part No.	Version No.	Modify Content	Remark

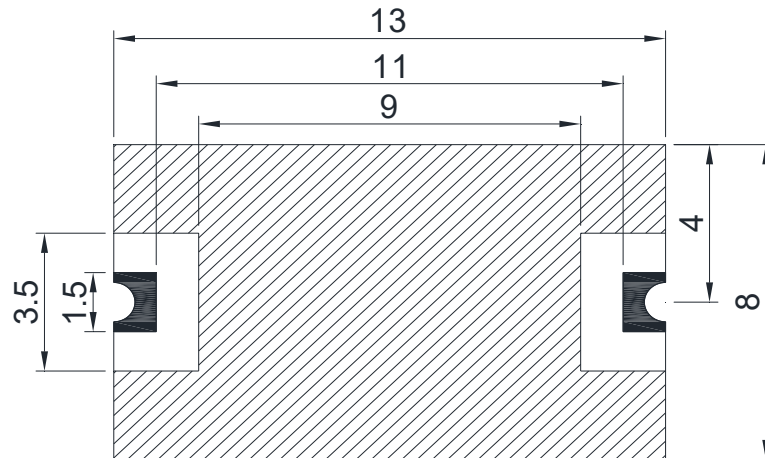
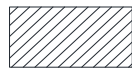
Electronic Characteristics

Item		SPEC	Unit
Center Frequency [f0]	f _c	1620.0	MHz
Bandwidth [BW]	BW	f ₀ ±10.0	MHz
Insertion Loss in BW	IL	1.0 max	dB
Ripple in BW	Δ _a	0.5 max	dB
VSWR in BW		1.5 max	Ratio
In/Out Impedance		50	Ω
Attenuation [Relative Value]	α	25 min @ 1258 - 1278 MHz	dBc
		35 min @ 2483 - 2500 MHz	dBc
		50 min @ 3220 - 3270 MHz	dBc
Input Power		30	W
Operation Temperature Range		-55 to +85	°C

Package Dimensions (Unit: mm)



RECOMMENDED PC BOARD PATTERN

**I/O PORT****GROUND**